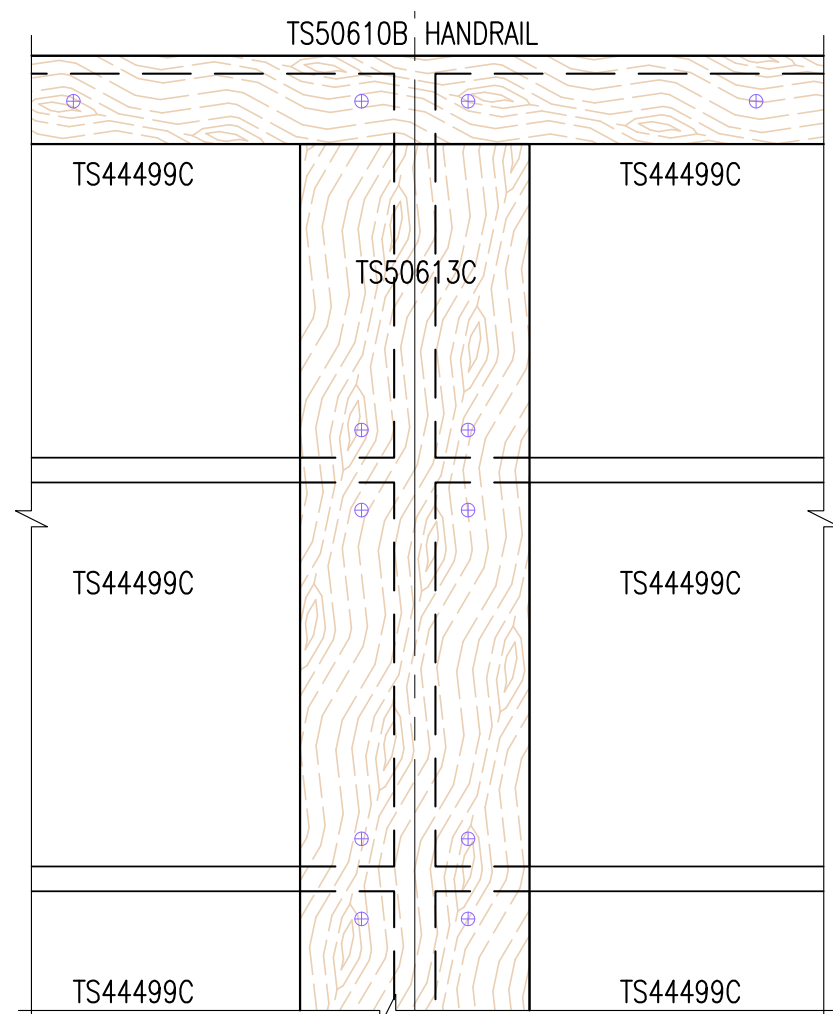


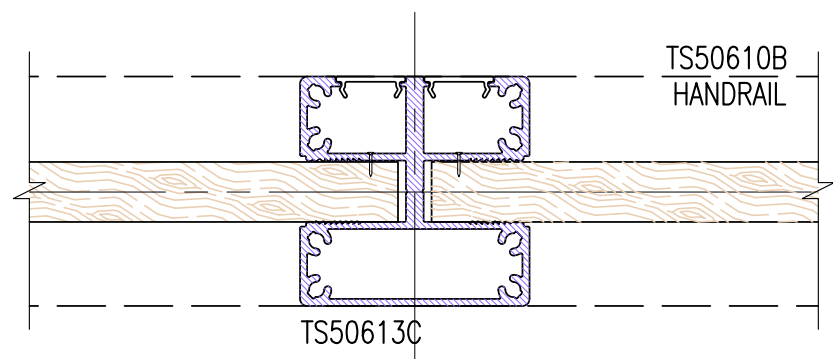
**INTERMEDIATE POST**

SCALE: 1 1/2" = 1'-0"



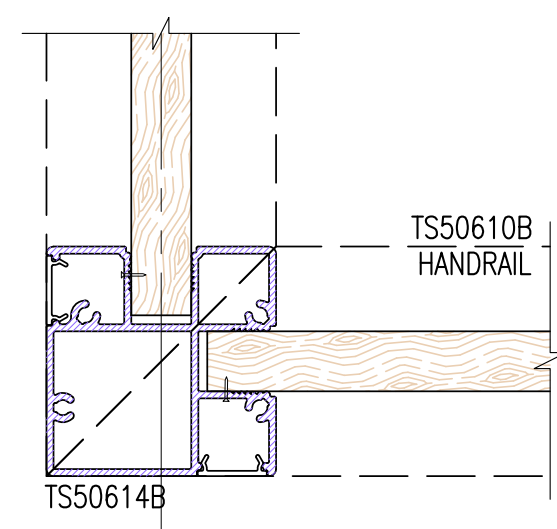
**POST ELEVATION**

SCALE : 6 " = 1'-0"



**INTERMEDIATE POST TOP VIEW**

SCALE : 6 " = 1'-0"



**CORNER POST TOP VIEW**

SCALE : 6 " = 1'-0"



**ALLISON IDE**  
 STRUCTURAL ENGINEERS LLC  
 900 Fort Street Mall Suite 1670  
 Honolulu, HI 96813-3717  
 Tel: 808 536 2108 Fax: 808 521 3000  
 allisonllc@hawaii.rr.com  
**ENGR: JSA**  
 APRIL 11, 2014